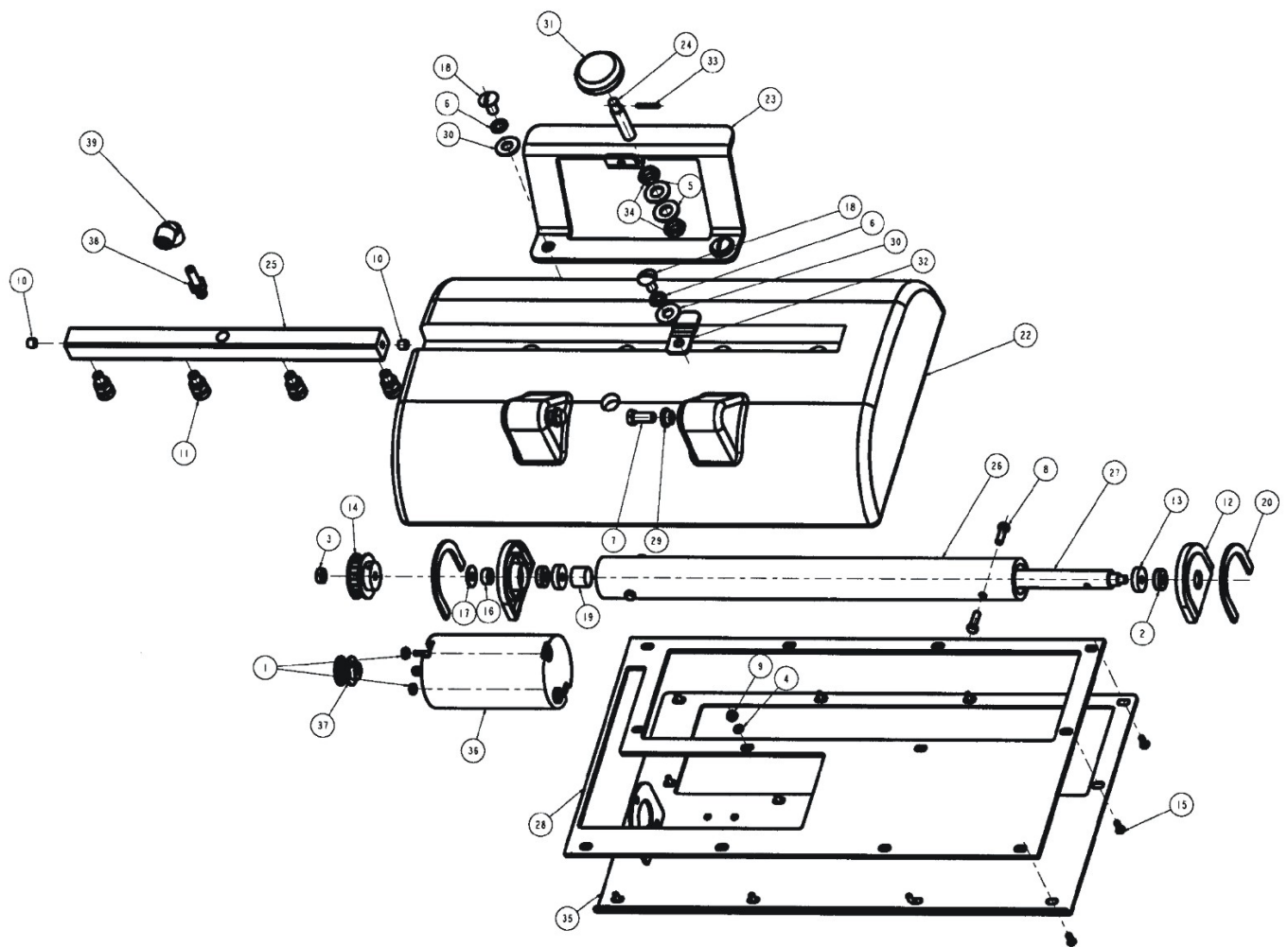
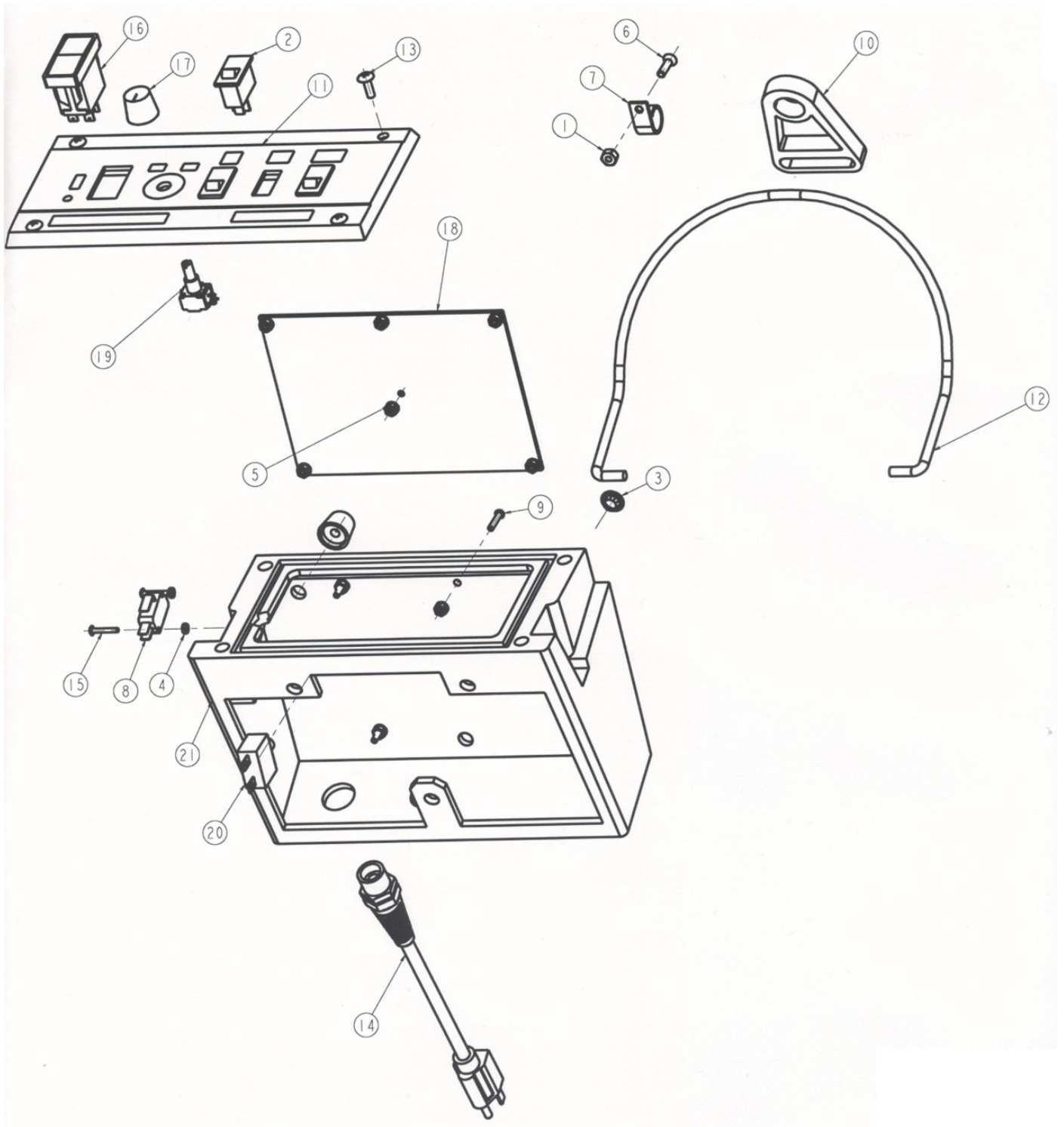


Tornado [Nov. 20, 2012]/Year 2000-Current: Schematics, Accessories, Brochures, Replacement & Optional Items/Carpet Care/Marathon 800, 1200 & 2000 Carpet Extractors/98190 22" Marathon 2000 (20 Gallon) - Series H/Brush Assembly



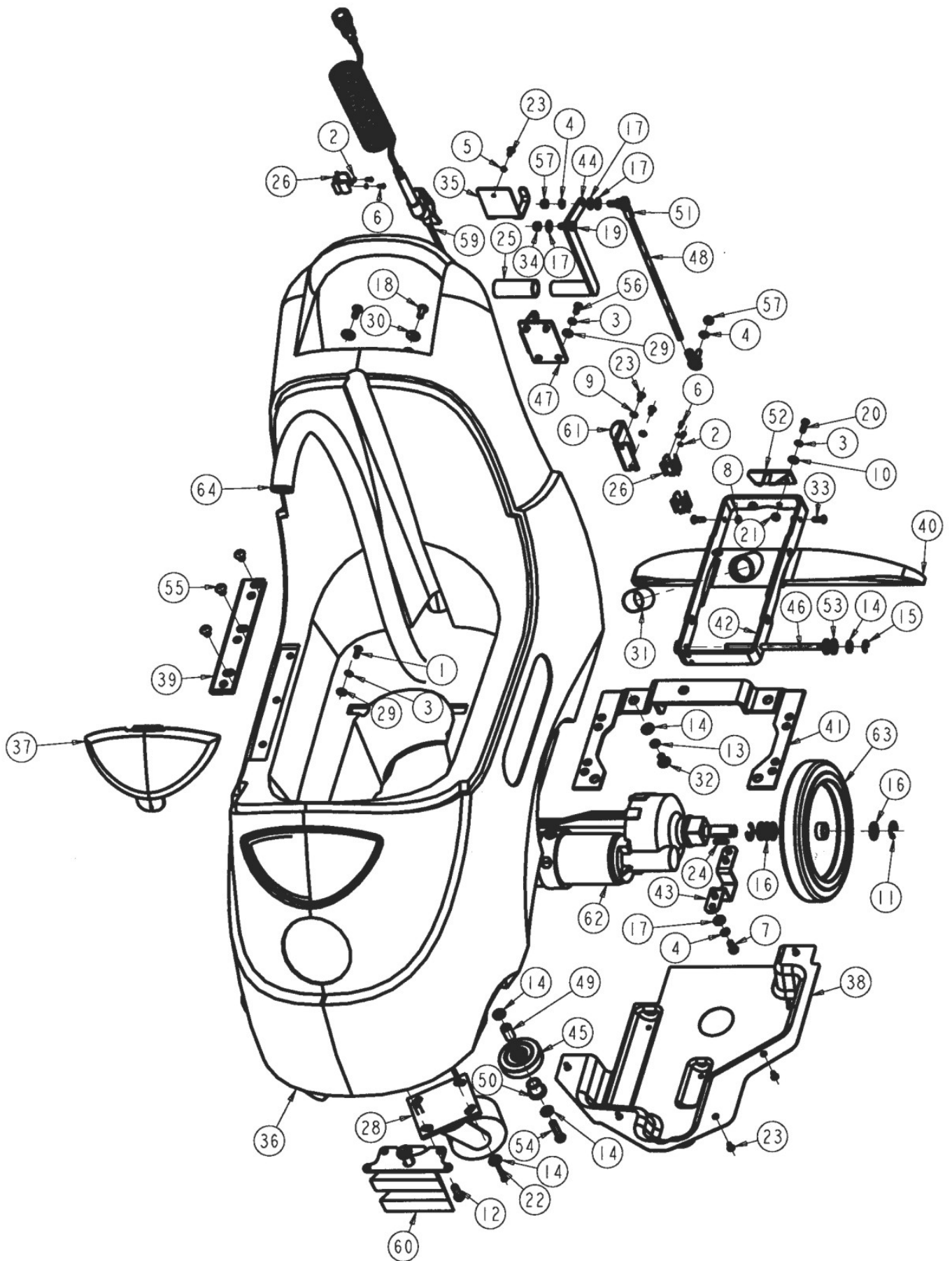
| No. | Part No. | Qty. | Description |
|-----|----------|------|----------------------------------|
| 1 | 02625 | 2 | NUT HEX.LOCK(KEPS) |
| 2 | 05209 | 2 | BEARING |
| 3 | 05282 | 1 | NUT HEX HEAVY JAM |
| 4 | 11007 | 1 | WASHER LOCK(I/T)#10 |
| 5 | 16581 | 2 | WASHER PLAIN |
| | 19616 | | WASHER PLAIN |
| 6 | 16586 | 3 | WASHER LOCK(I/T)3/8 |
| 7 | 16907 | 2 | SCREW HEX HD CAP |
| 8 | 17160 | 4 | Bolt 1/4-20 x 1" SS |
| 9 | 19145 | 1 | Nut |
| 10 | 19149 | 1 | FITTING BRASS PLUG |
| 11 | 19154 | 4 | SPRAY NOZZLE 1/8(V JET) |
| | X9139 | | MINATURE NOZZLE AND BODY 1/8 |
| 12 | 19157 | 2 | BEARING BLOCK BRUSH |
| 13 | 19158 | 2 | BEARING SEAL (05209) |
| 14 | 19161 | 1 | PULLEY TIMING (SHAFT) |
| 15 | 19165 | 12 | SCREW PHIL. FLAT HD MACH |
| 16 | 19190 | 1 | SPACER 1/4(DELRIN) |
| 17 | 19191 | 1 | WASHER PLAIN |
| 18 | 19207 | 3 | SCREW SLOT. TRUSS HD |
| 19 | 19227 | 2 | BEARING SLEEVE 3/4 |
| 20 | 19228 | 4 | GASKET BEARING BLOCK |
| 21 | 19233 | 1 | BELT TIMING 150XL X 3/8 |
| 22 | 30023 | 1 | BRUSH HOUSING 98190 |
| 23 | 30034 | 1 | BRACKET BRUSH POSITION |
| 24 | 30039 | 1 | ADJUSTING SCREW |
| 25 | 30045 | 1 | MANIFOLD SPRAYBAR |
| 26 | 30046 | 1 | BRUSH ROLLER 20 |
| 27 | 30047 | 1 | SHAFT BRUSH 20 |
| 28 | 30057 | 1 | GASKET BRUSH PLATE |
| 29 | 30064 | 2 | BUSHING-BRUSH PIVOT(98190) NYLON |
| | 19153 | | BUSHING SHROUD PIVOT |
| 30 | 30075 | 2 | WASHER PLAIN |
| | X8230 | | 3/8" Washer |
| 31 | 30562 | 1 | KNOB |
| 32 | 30569 | 1 | BRACKET SPRAYBAR |
| 33 | 30707 | 1 | PIN SPRING |
| 34 | 30920 | 2 | NUT NYLON LOCK |
| 35 | 30973 | 1 | WELDMENT BRUSH PLATE & |
| 36 | 32173 | 1 | MOTOR BRUSH (115V 1.14A)_____ |
| | X9002 | | MOTOR-BRUSH |
| 37 | 32175 | 1 | PULLEY TIMING |
| 38 | 32181 | 1 | STEM ADAPTER 3/8 X 1/4 |
| 39 | 32189 | 1 | ELBOW SWIVEL 3/8 TUBE |
| 40 | 32245 | 1 | WASHER LOCK (I/T) 5/16 |

Tornado [Nov. 20, 2012]/Year 2000-Current: Schematics, Accessories, Brochures, Replacement & Optional Items/Carpet Care/Marathon 800, 1200 & 2000 Carpet Extractors/98190 22" Marathon 2000 (20 Gallon) - Series H/Control Panel Assembly



| No. | Part No. | Qty. | Description |
|-----|----------|------|--------------------------|
| 1 | 01477 | 1 | NUT FINISHED HEX |
| 2 | 10670 | 3 | SWITCH ROCKER (98164 68) |
| 3 | 14624 | 1 | PLUG HOLE (ZINC) |
| 4 | 15560 | 2 | NUT HEX.LOCK(KEPS) |
| 5 | 17883 | 12 | NUT HEX.LOCK |
| 6 | 18339 | 1 | SCREW PHIL. FLAT HD MACH |
| 7 | 18717 | 1 | CLAMP CABLE(5/8DIA.) |
| 8 | 18818 | 1 | SWITCH BUTTON S.P.D.T. |
| 9 | 19124 | 6 | SCREW SLO. RND HD MACH |
| 10 | 19261 | 1 | BELT CLIP CORD CONTROL |
| 11 | 30028 | 1 | CONTROL PANEL |
| 12 | 30038 | 1 | ROD DRIVE ACTUATION |
| 13 | 30676 | 4 | SCREW PHIL. TRUSS HD |
| 14 | 30688 | 1 | ASS'Y POWER CORD |
| 15 | 30703 | 2 | SCREW PHIL. TRUSS HD |
| 16 | 32147 | 1 | SWITCH CONTROL VAC |
| 17 | 32172 | 2 | CONTROL KNOB 1/4 DIA. |
| 18 | 32330 | 1 | CONTROLLER (115 VAC) |
| 19 | 32359 | 1 | HARNES SPEED POTENTIO |
| 20 | 32362 | 1 | BREAKER CIRCUIT |
| 21 | 32382 | 1 | CONTROL HOUSING 98190/91 |
| 23 | 32364 | 1 | KIT WIRING CONTROL PANEL |
| 24 | 32377 | 1 | DECAL SOLUTION CONTROL |

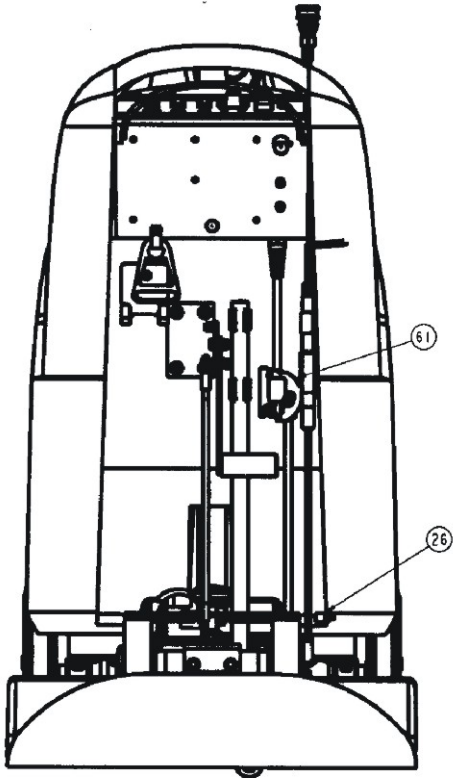
Tornado [Nov. 20, 2012]/Year 2000-Current: Schematics, Accessories, Brochures, Replacement & Optional Items/Carpet Care/Marathon 800, 1200 & 2000 Carpet Extractors/98190 22" Marathon 2000 (20 Gallon) - Series H/Lower Tank Assembly (Part 1)



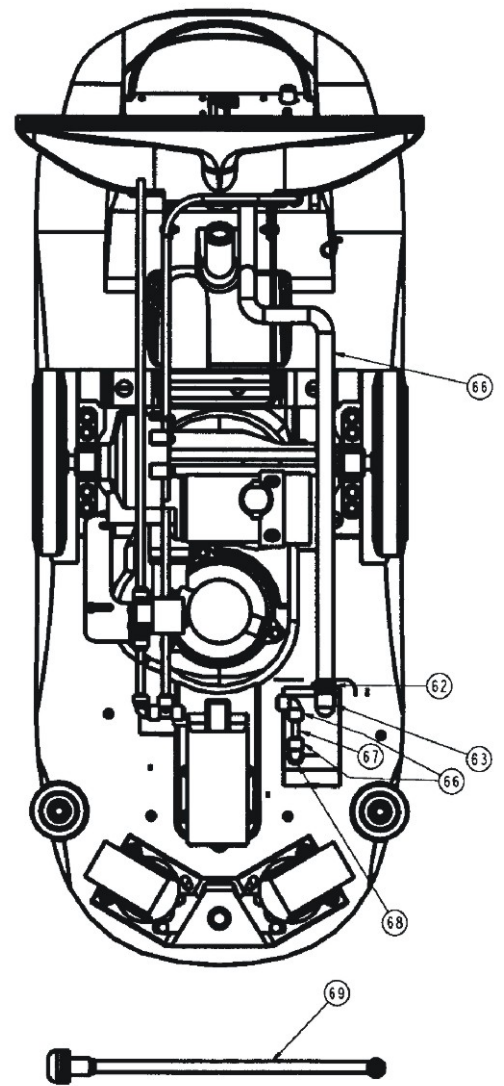
| No. | Part No. | Qty. | Description |
|-----|----------|------|--------------------------|
| 1 | 00064 | 1 | SCREW PHIL. OVAL HD MACH |
| 2 | 01246 | 6 | WASHER LOCK(H/S)# 6 |
| 3 | 01574 | 7 | Lock Washer |
| 4 | 01577 | 10 | WASHER LOCK(H/S)5/16 |
| 5 | 01713 | 1 | WASHER LOCK(H/S)#10 |
| 6 | 01734 | 6 | SCREW PHIL. RND HD MACH |
| 7 | 02109 | 8 | SCREW HEX HD CAP |
| 8 | 02217 | 4 | Nut, 1/4"-20 |
| 9 | 03060 | 2 | WASHER PLAIN |
| 10 | 03218 | 2 | WASHER PLAIN |
| | 14142 | | Washer |
| | X8235 | | Washer 1/4" Flat Zinc |
| 11 | 03313 | 4 | RING RETAINING EXT. |
| 12 | 03320 | 4 | SCREW HEX HD CAP |
| 13 | 03536 | 5 | Lock Washer |
| 14 | 03736 | 15 | Washer |
| 15 | 03947 | 2 | RING RETAINING EXT. |
| 16 | 03960 | 8 | WASHER PLAIN |
| 17 | 14142 | 11 | Washer |
| | X8235 | | Washer 1/4" Flat Zinc |
| 18 | 15067 | 3 | SCREW PHIL. PAN HD MACH |
| 19 | 15677 | 1 | SCREW SOCKET HD SHOULDER |
| 20 | 17160 | 2 | Bolt 1/4-20 x 1" SS |
| 21 | 17508 | 2 | NUT FINISHED HEX |
| | 7CN001 | | NUT 1/4-20 HEX SS |
| 22 | 17575 | 4 | SCREW HEX HD CAP |
| 23 | 17848 | 9 | SCREW PHIL. TRUSS HD |
| 24 | 18115 | 2 | KEY SQUARE |
| 25 | 18251 | 1 | USE #10721GRIP - HANDLE |
| | 10721 | | GRIP ROUND |
| 26 | 18468 | 3 | Sight Tube Retaning Clip |
| 28 | 18773 | 2 | CASTER SWIVEL 4 DIA |
| 29 | 18885 | 5 | WASHER PLAIN |
| 30 | 19191 | 3 | WASHER PLAIN |
| 31 | 19197 | 1 | TUBE NOZZLE HOSE ADAPTER |
| 32 | 19207 | 5 | SCREW SLOT. TRUSS HD |
| 33 | 19254 | 4 | SCREW PHIL. PAN HD MACH |
| 34 | 19513 | 1 | NUT HEX LOCK (NYL.INS.) |
| 35 | 19948 | 1 | HANGER DRAIN HOSE |
| 36 | 30021 | 1 | TANK BOTTOM 98190 |
| 37 | 30026 | 1 | COVER INLET BOTTOM TANK |
| 38 | 30027 | 1 | COVER PUMP |
| 39 | 30030 | 1 | HINGE (#748/SS) |
| 40 | 30031 | 1 | NOZZLE CARPET EXTRACTOR |
| 41 | 30032 | 1 | BRACKET BOTTOM TANK |
| 42 | 30033 | 1 | BRACKET VACUUM NOZZLE |
| 43 | 30035 | 2 | BRACKET TRANSAXLE |
| 44 | 30036 | 1 | HANDLE |
| 45 | 30044 | 2 | WHEEL BUMPER |
| 46 | 30048 | 1 | ROD BRUSH ATTACHMENT |
| 47 | 30049 | 1 | BRACKET HANDLE |
| 48 | 30056 | 1 | ROD LIFT HANDLE |
| 49 | 30570 | 2 | SPACER BUMPER WHEEL |
| 50 | 30571 | 2 | BUSHING BUMPER WHEEL |

| | | | |
|----|-------|---|--------------------------|
| 51 | 30577 | 2 | BALL JOINT HANDLE |
| 52 | 30578 | 1 | BRACKET ADJUSTING SCREW |
| 53 | 30581 | 4 | SPACER ATTACHMENT ROD |
| 54 | 30660 | 2 | SCREW HEX HD CAP |
| 55 | 30673 | 6 | SCREW PHIL. RND HD MACH |
| 56 | 30674 | 4 | SCREW PHIL. PAN HD MACH |
| 57 | 30675 | 2 | NUT FINISHED HEX |
| 58 | 30678 | 1 | SCREW PHIL. PAN HD MACH |
| 59 | 30687 | 1 | ASS'Y SPRAY WAND |
| 60 | 30704 | 1 | ASS'Y FRONT WEIGHT |
| 61 | 32319 | 1 | BRACKET SPRAY TOOL |
| 62 | 32352 | 1 | TRANSAXLE 115 VDC |
| 63 | 32353 | 2 | WHEEL |
| 64 | 07626 | 1 | CLAMP HOSE (SCREW) |
| 66 | 30050 | 1 | HOSE STEEL SUPPORTED BLK |

Tornado [Nov. 20, 2012]/Year 2000-Current: Schematics, Accessories, Brochures, Replacement & Optional Items/Carpet Care/Marathon 800, 1200 & 2000 Carpet Extractors/98190 22" Marathon 2000 (20 Gallon) - Series H/Lower Tank Assembly (Part 2)

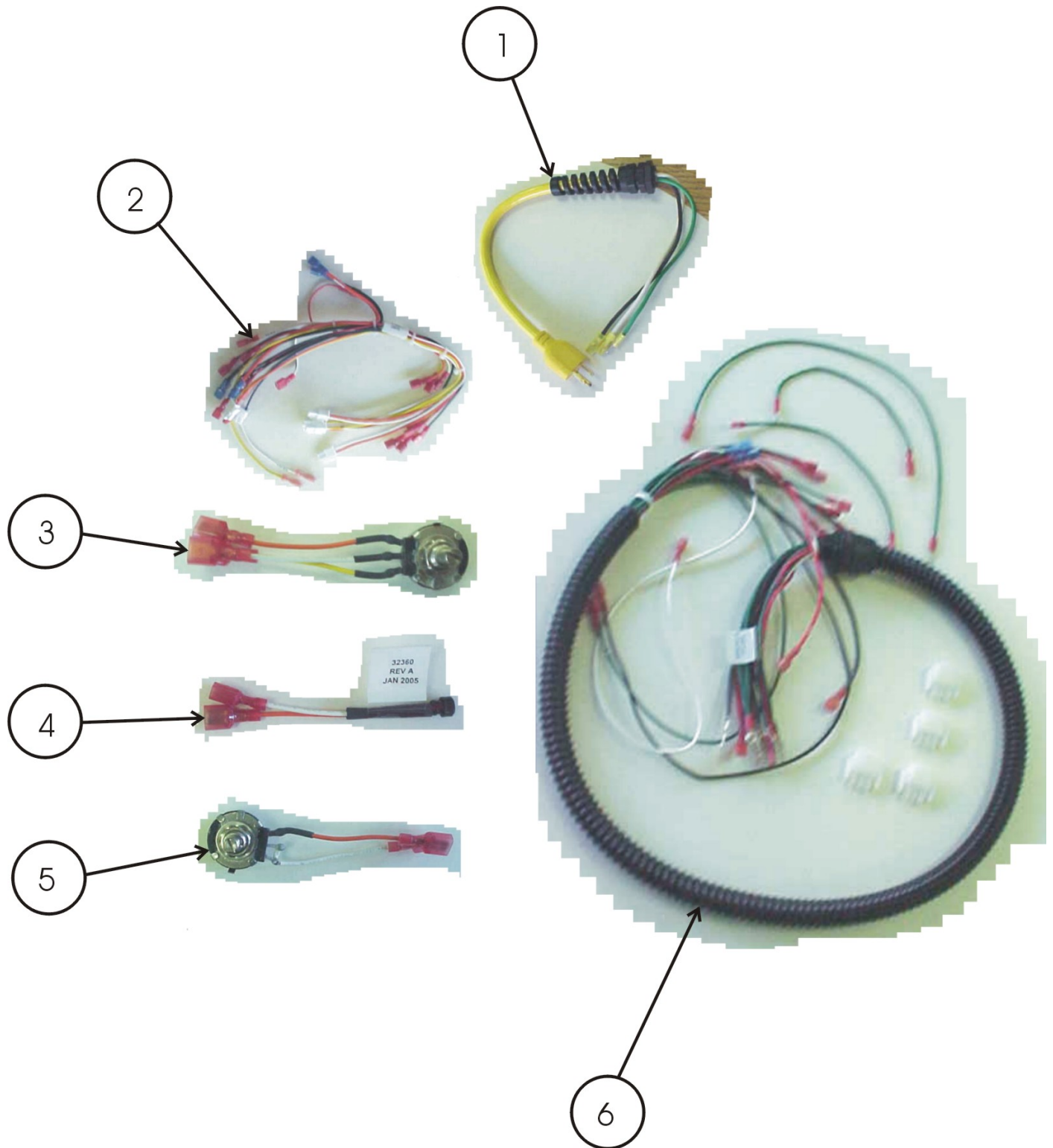


NOTE: PLACEMENT OF HOSE WITHOUT PAN.



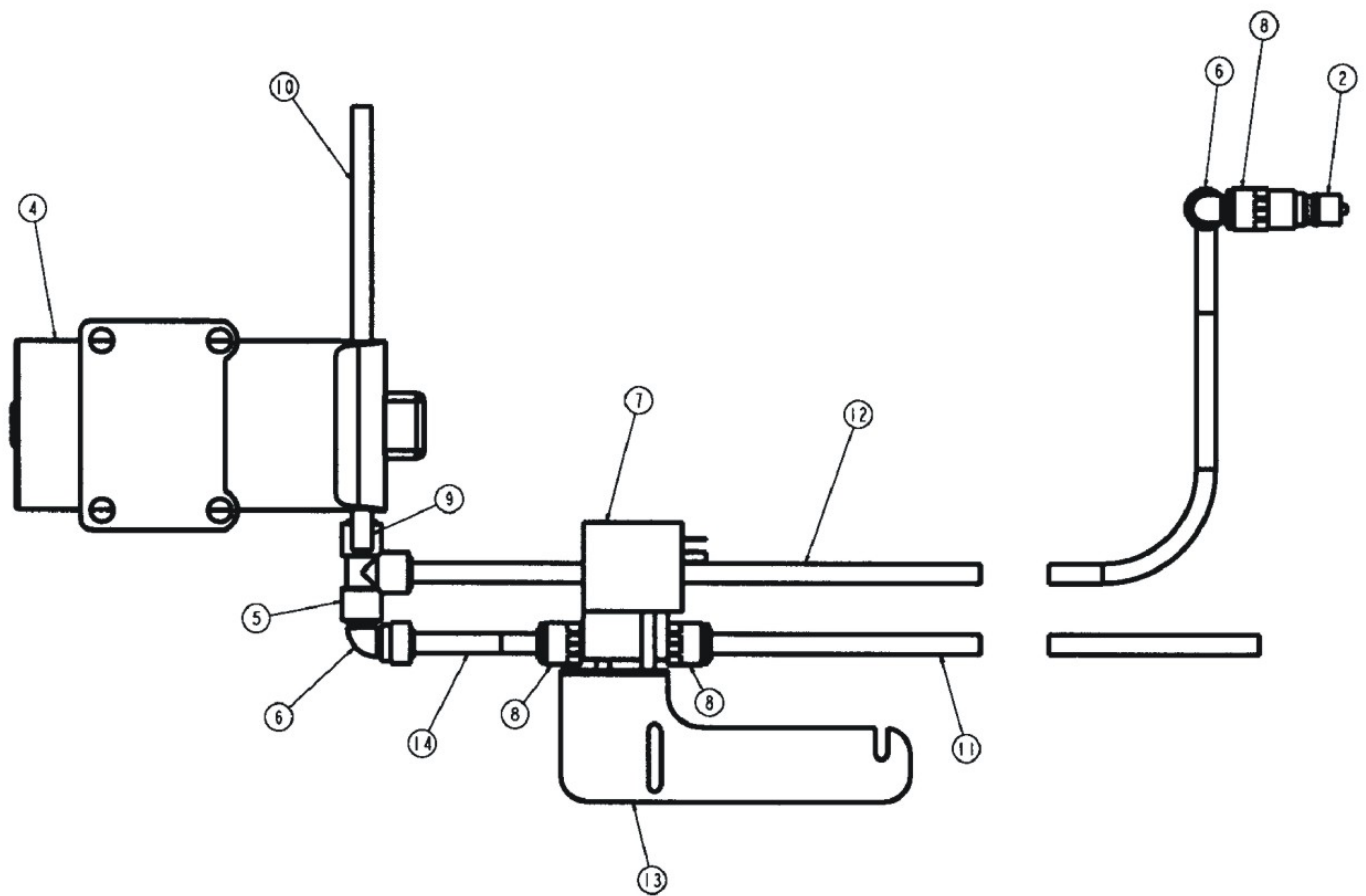
| No. | Part No. | Qty. | Description |
|-----|----------|------|------------------------|
| 26 | 18717 | 1 | CLAMP CABLE(5/8DIA.) |
| 61 | 32352 | 1 | TRANSAXLE 115 VDC |
| 62 | 07626 | 1 | CLAMP HOSE (SCREW) |
| 63 | 23292 | 1 | ELBOW 5/8 X 1/2 NYLON |
| 65 | 30052 | 1 | HOSE DRAIN BOTTOM TANK |
| 66 | 32189 | 2 | ELBOW SWIVEL 3/8 TUBE |
| 67 | 32258 | 1 | HOSE 3/8OD X 2 LG. |
| 68 | 32308 | 1 | ADAPTER STEM 3/8 X 3/8 |
| 69 | 32315 | 1 | ASSY SOLUTION FILTER |

Tornado [Nov. 20, 2012]/Year 2000-Current: Schematics, Accessories, Brochures, Replacement & Optional Items/Carpet Care/Marathon 800, 1200 & 2000 Carpet Extractors/98190 22" Marathon 2000 (20 Gallon) - Series H/Machine Wiring Harness



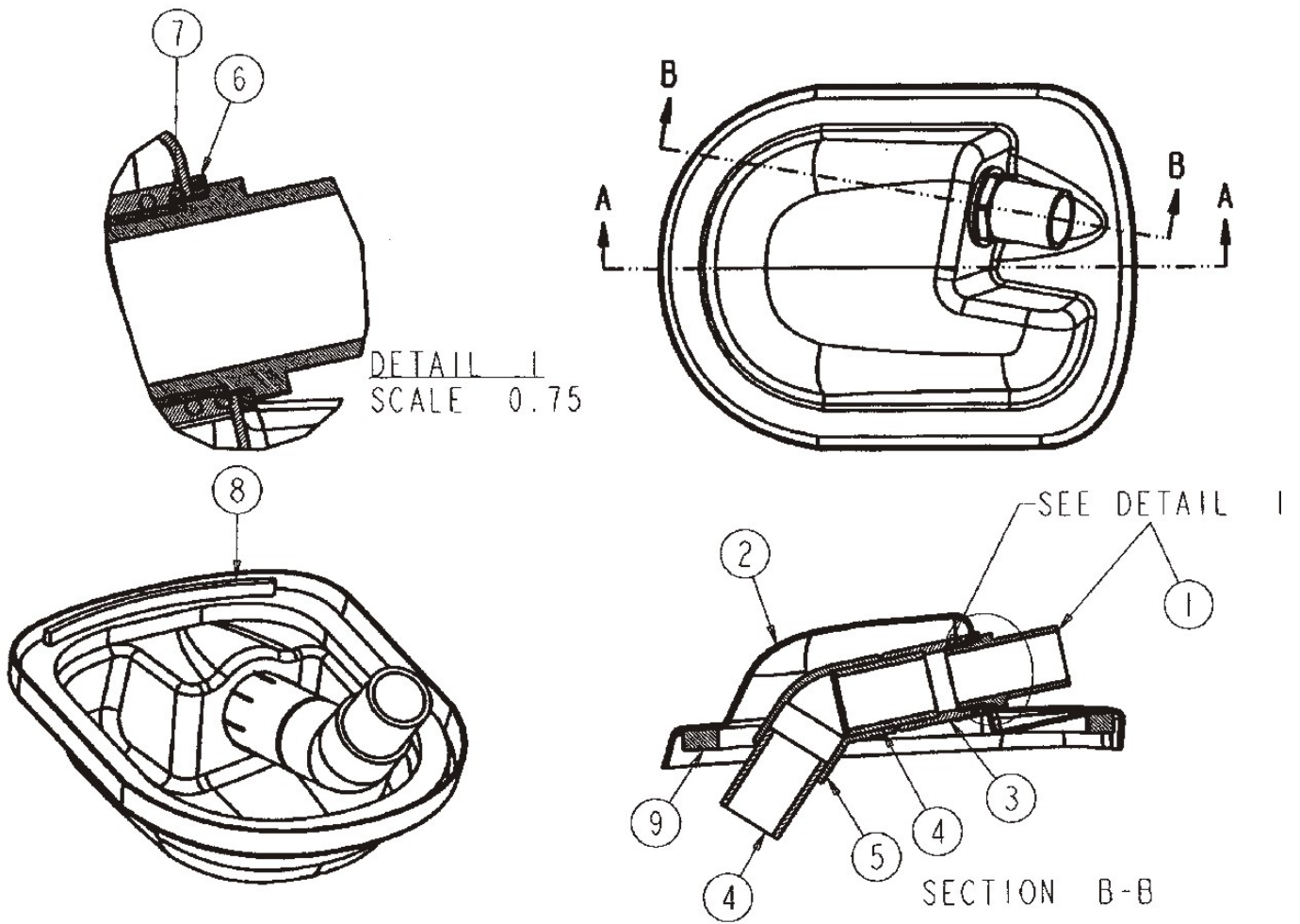
| No. | Part No. | Qty. | Description |
|-----|----------|------|--------------------------|
| 1 | 30688 | 1 | ASS'Y POWER CORD |
| 2 | 32357 | 1 | HARNESS WIRING (UPPER) |
| 3 | 32359 | 1 | HARNESS SPEED POTENTIO |
| 4 | 32360 | 1 | HARNESS PUMP CONTROL LED |
| 5 | 32361 | 1 | HARNESS PUMP CONTROL POT |
| 6 | 32364 | 1 | KIT WIRING CONTROL PANEL |

Tornado [Nov. 20, 2012]/Year 2000-Current: Schematics, Accessories, Brochures, Replacement & Optional Items/Carpet Care/Marathon 800, 1200 & 2000 Carpet Extractors/98190 22" Marathon 2000 (20 Gallon) - Series H/Pump Assembly



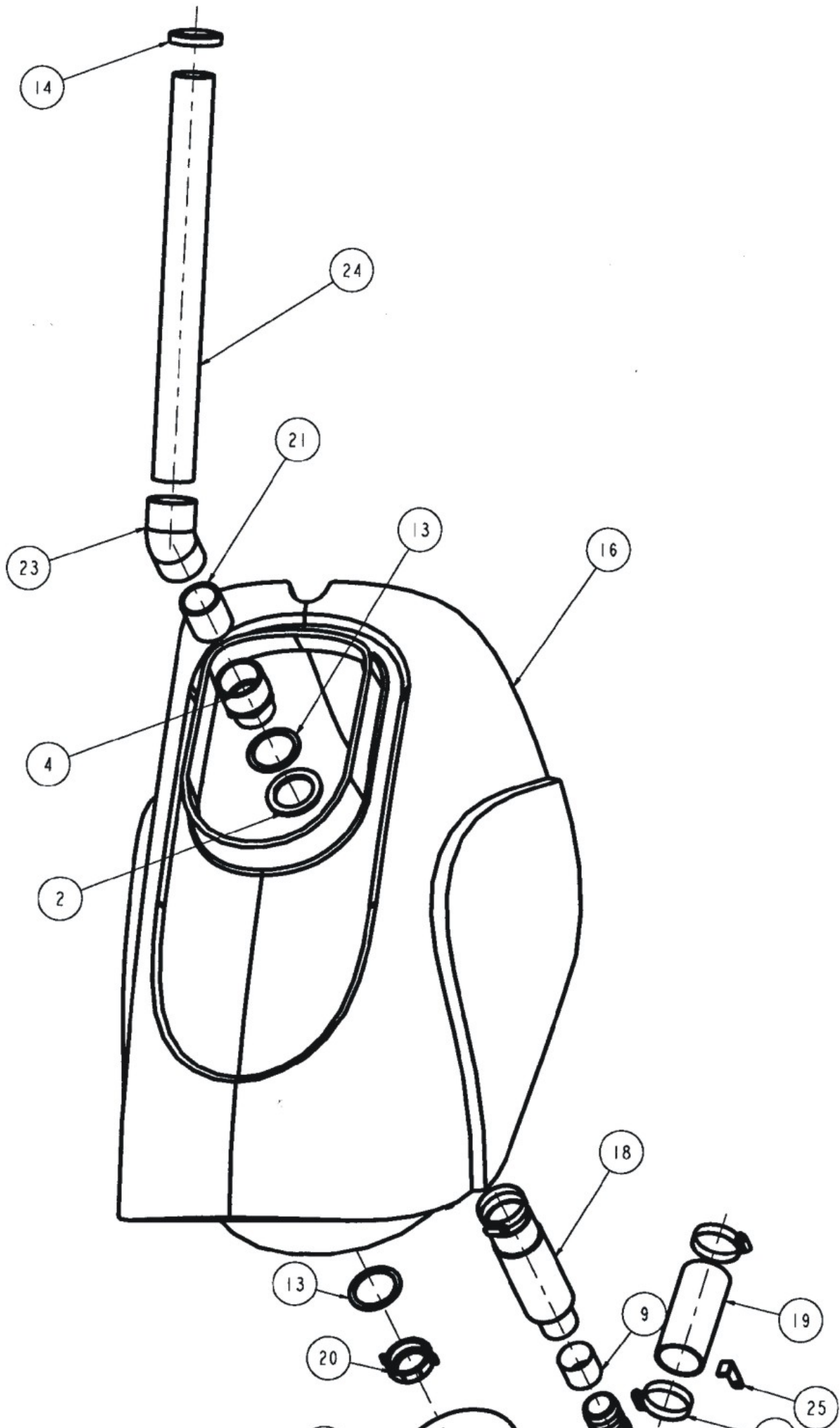
| No. | Part No. | Qty. | Description |
|-----|----------|------|--------------------------|
| 1 | 11007 | 2 | WASHER LOCK(I/T)#10 |
| 17 | 32207 | 4 | ASS'Y DIN CONNECTOR W/ |
| 2 | 14881 | 1 | FITTING BRASS NIPPLE |
| | PX5 | | QD Male 1/4" |
| 3 | 23192 | 2 | SCREW SLO. FILLISTER HD |
| 4 | 32180 | 1 | PUMP 115V/50/60HZ 100PSI |
| 5 | 32182 | 1 | UNION TEE 3/8 TUBE SIZE |
| 6 | 32183 | 2 | ELBOW PLUG IN 3/8 O.D. |
| 7 | 32185 | 1 | SOLENOID VALVE 1/4PORT |
| 8 | 32186 | 3 | CONNECTOR MALE Q.D.(NYL) |
| 9 | 32314 | 1 | HOSE 3/8OD X 1 1/4LG. |
| 10 | 32316 | 1 | HOSE 3/8OD X 3 1/4 LG. |
| 11 | 32317 | 1 | HOSE 3/8OD X 22 LG. |
| 12 | 32318 | 1 | HOSE 3/8OD X 39 LG. |
| 13 | 32320 | 1 | BRACKET SOLENOID 240/120 |
| 14 | 32342 | 2 | HOSE 3/8OD X 2.5 LG. |
| 15 | 15666 | 4 | SPACER SQUEEGEE LIFT |
| 16 | 19205 | 4 | SCREW PHIL. PAN HD MACH |

Tornado [Nov. 20, 2012]/Year 2000-Current: Schematics, Accessories, Brochures, Replacement & Optional Items/Carpet Care/Marathon 800, 1200 & 2000 Carpet Extractors/98190 22" Marathon 2000 (20 Gallon) - Series G/Recovery Dome



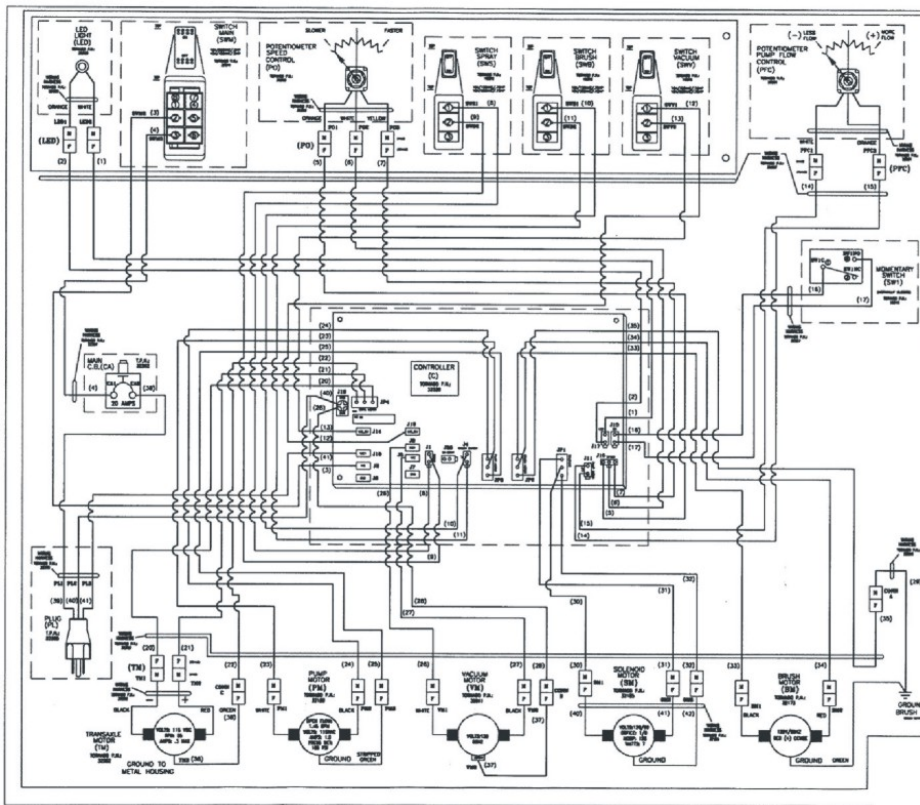
| No. | Part No. | Qty. | Description |
|-----|----------|------|-----------------------------|
| 1 | 19270 | 1 | FITTING RECOVERY HOSE |
| 2 | 30025 | 1 | COVER TOP TANK |
| 3 | 30059 | 1 | FITTING FEMALE COVER |
| 4 | 30060 | 2 | PIPE COVER (98190) |
| 5 | 30061 | 1 | ELBOW COVER (45DEG) (98190) |
| 6 | 30062 | 1 | WASHER COVER |
| 7 | 30063 | 2 | O RING COVER |
| 8 | 31403 | 1 | GASKET SUPPORT (MARA) |
| 9 | 31300 | 1 | GASKET COVER TOP HOUSING |

Tornado [Nov. 20, 2012]/Year 2000-Current: Schematics, Accessories, Brochures, Replacement & Optional Items/Carpet Care/Marathon 800, 1200 & 2000 Carpet Extractors/98190 22" Marathon 2000 (20 Gallon) - Series H/Upper Tank Assembly



| No. | Part No. | Qty. | Description |
|-----|----------|------|---------------------------------|
| 1 | 01574 | 3 | Lock Washer |
| 2 | 05781 | 1 | GASKET |
| 3 | 14858 | 3 | CLAMP HOSE(SCREW) |
| 4 | 15088 | 1 | ADAPTER MALE PVC |
| | X9076 | | BULKHEAD 1-1/2" MPT X 1-1/2" |
| 5 | 16089 | 1 | STOPPER RETAINED PLUG |
| 7 | 16671 | 1 | SCREW HEX HD CAP |
| 8 | 17644 | 3 | SCREW HEX HD CAP |
| 9 | 18357 | 1 | Recovery Tank Drain Hose Sleeve |
| 10 | 18563 | 1 | NOZZLE DRAIN HOSE |
| 11 | 18789 | 1 | ASSEMBLY CABLE (STEEL) |
| 12 | 18885 | 3 | WASHER PLAIN |
| 13 | 18886 | 2 | WASHER PLAIN |
| 14 | 19097 | 1 | FILTER VAC.MOTOR INTAKE |
| 15 | 19119 | 1 | GASKET VACUUM MOTOR |
| 16 | 30022 | 1 | TANK TOP 98190 |
| 17 | 30041 | 1 | MOTOR VACUUM |
| 18 | 30051 | 1 | HOSE BELLOW DRAIN TOP CP HOSE |
| 19 | 30066 | 1 | HOSE STEEL SUPPORTED BLK |
| 20 | 30067 | 1 | NUT VAC STAND PIPE |
| 21 | 15100 | 1 | ADAPTER INSERT 2" |
| 22 | 30070 | 3 | SPACER VAC MOTOR |
| 23 | 30563 | 1 | USE #14918ELBOW PIPE 1-1/2 PVC |
| | 14918 | | ELBOW 45 DEGREE |
| 24 | 30564 | 1 | PIPE PVC |
| 25 | 30584 | 1 | BRACKET EXHAUST HOSE |
| 26 | 31301 | 1 | CLAMP HOSE |
| 27 | 31303 | 3 | RING SPLIT (98190) |

Tornado [Nov. 20, 2012]/Year 2000-Current: Schematics, Accessories, Brochures, Replacement & Optional Items/Carpet Care/Marathon 800, 1200 & 2000 Carpet Extractors/98190 22" Marathon 2000 (20 Gallon) - Series H/Wiring Diagram



| WIRE NO'S | AWG | TYPE | COLOR | FROM | TO |
|-----------|-----|------|--------|--------|--------|
| 1 | 18 | | ORANGE | C(J17) | LED2 |
| 2 | 18 | | WHITE | C(J17) | LED1 |
| 3 | 14 | | BLACK | C(J2) | SWM2 |
| 4 | 14 | | ORANGE | CA1 | SWM3 |
| 5 | 18 | | ORANGE | C(J15) | PO1 |
| 6 | 18 | | WHITE | C(J15) | PO2 |
| 7 | 18 | | YELLOW | C(J15) | PO3 |
| 8 | 18 | | BLUE | C(J11) | SWS1 |
| 9 | 18 | | WHITE | C(J11) | SWS2 |
| 10 | 18 | | YELLOW | C(J4) | SWB1 |
| 11 | 18 | | ORANGE | C(J4) | SWB2 |
| 12 | 18 | | RED | C(J12) | SWV1 |
| 13 | 18 | | BLACK | C(J14) | SWV2 |
| 14 | 18 | | WHITE | C(J11) | PFC1 |
| 15 | 18 | | ORANGE | C(J11) | PFC3 |
| 16 | 18 | | YELLOW | C(J13) | SW1C |
| 17 | 18 | | WHITE | C(J13) | SW1NO |
| 18 | | | | | |
| 19 | | | | | |
| 20 | 14 | | BLACK | C(JP4) | TM1 |
| 21 | 14 | | RED | C(JP4) | TM2 |
| 22 | 18 | | GREEN | C(JP4) | CONN C |
| 23 | 18 | | RED | C(JP3) | PM1 |
| 24 | 18 | | BLACK | C(JP3) | PM2 |
| 25 | 18 | | GREEN | C(JP3) | PM3 |
| 26 | 18 | | WHITE | C(J9) | VM1 |
| 27 | 18 | | BLACK | C(J5) | VM2 |
| 28 | 18 | | GREEN | C(J19) | VM3 |
| 29 | 18 | | GREEN | CONN A | GROUND |
| 30 | 18 | | RED | C(JP1) | SM1 |
| 31 | 18 | | BLACK | C(JP1) | SM2 |
| 32 | 18 | | GREEN | C(JP1) | SM3 |
| 33 | 18 | | BLACK | C(JP2) | BM1 |
| 34 | 18 | | RED | C(JP2) | BM2 |
| 35 | 18 | | GREEN | C(JP2) | CONN A |
| 36 | | | | | |
| 37 | 18 | | GREEN | CONN B | VM3 |
| 38 | 18 | | GREEN | CONN C | TM3 |
| 39 | 12 | | BLACK | PL1 | CA2 |
| 40 | 12 | | GREEN | PL2 | C(J19) |
| 41 | 12 | | WHITE | PL3 | C(J2) |

WIRING HARNESS
T.P.N.: 32357

WIRING HARNESS
T.P.N.: 32358

WIRING HARNESS
T.P.N.: 30688