

AutoFlush® Tank

Touch-Free Tank Toilet Flushing System

Parish-Supply.com

The AutoFlush® Tank ensures that toilets are always flushed and presentable. This wireless system promotes good hygiene by eliminating potential points of cross-contamination while preventing odors due to unflushed fixtures.

Keeps Toilet Flushed and Presentable

Ensures that tank toilets are always flushed and presentable. No trailing costs for replacement parts, simply change batteries every 100,000 cycles or 3 years.

Ultra Compact and ADA Compliant

The compact motor fits most tank styles and displaces little water. No need to replace your current investment of tank type toilets or move plumbing hardware to accommodate ADA compliance.

Easy Wireless Installation

Installing the AutoFlush® Tank is an easy and cost effective way to gain the benefits of an automated flushing system. Simply mount the motor in the tank, install sensor and insert batteries.

Operation:

- A) Object Detection** - toilet will flush 5 seconds after patron has left the sensing zone (32" factory setting). For immediate flush, the patron can wave their hand in front of the sensor. **This is the factory setting.**
- B) Object Detection with Extended Delay** - toilet will flush 7 seconds after patron has left the sensing zone (32" factory setting). For an immediate flush the patron can wave their hand in front of sensor.
- C) Wave Only** - toilet will flush only when the patron has waved their hand in front of the sensor.



AutoFlush for Tank Toilets:

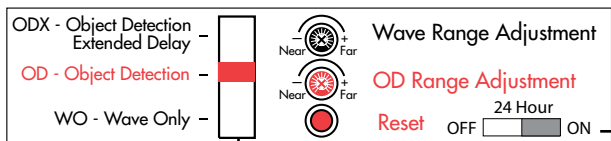
Stock#	Description
--------	-------------

750831.....	AutoFlush for Tank Toilets Wireless (white)
-------------	---

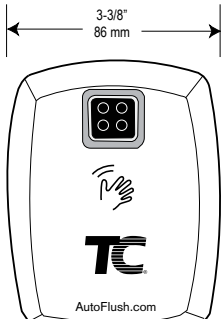
Case Pack: 6, Case Weight: 20 lbs., Case Cube: 1.2ft³

AutoFlush® Tank

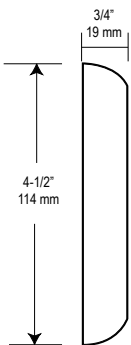
Specifications



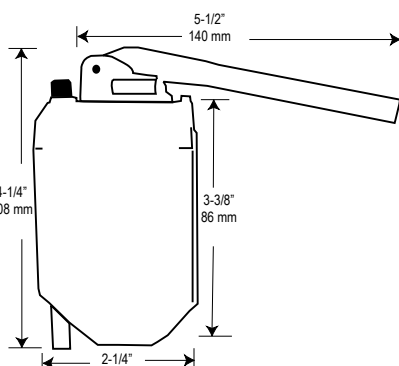
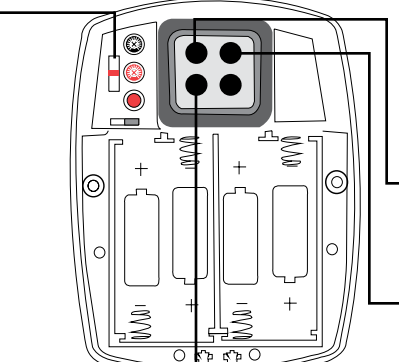
Wireless Sensor (inside)



Wireless Sensor (front)



Wireless Sensor (side)



Motor

Product:

AutoFlush® unit, fits most tank toilet designs.

Trap Seal Protection (24hr Flush):

Ensures fixtures are flushed at least once every 24 hours. This feature prevents sewer gases escaping through open trap.

User in View LED:

Green LED flashes 3 times when object is detected for 5 seconds.

Sensor Type:

Infrared convergence type object lock detection. Adjustable range: 12" to 48." (32" factory set)

Battery Replacement L.E.D.:

Yellow light flashes when batteries are low.

Power Supply:

4 D-Cell and 4 AA-Cell alkaline batteries - Included

Battery Life:

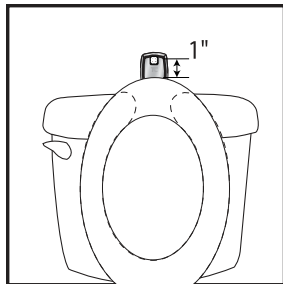
100,000 flushes - 3 or more years

Installation Time

Easy 10 minute installation.

Quick Installation Instruction:

1. Turn off water and Flush Tank
2. Replace Fill-Value (if needed)
3. Install Motor
4. Mount Sensor
5. Insert Batteries



Elongated Toilet Seats

Compliance:

Designed to meet ADA requirements.

Warranty:

3 years against defects in parts and workmanship.



ADA COMPLIANT

