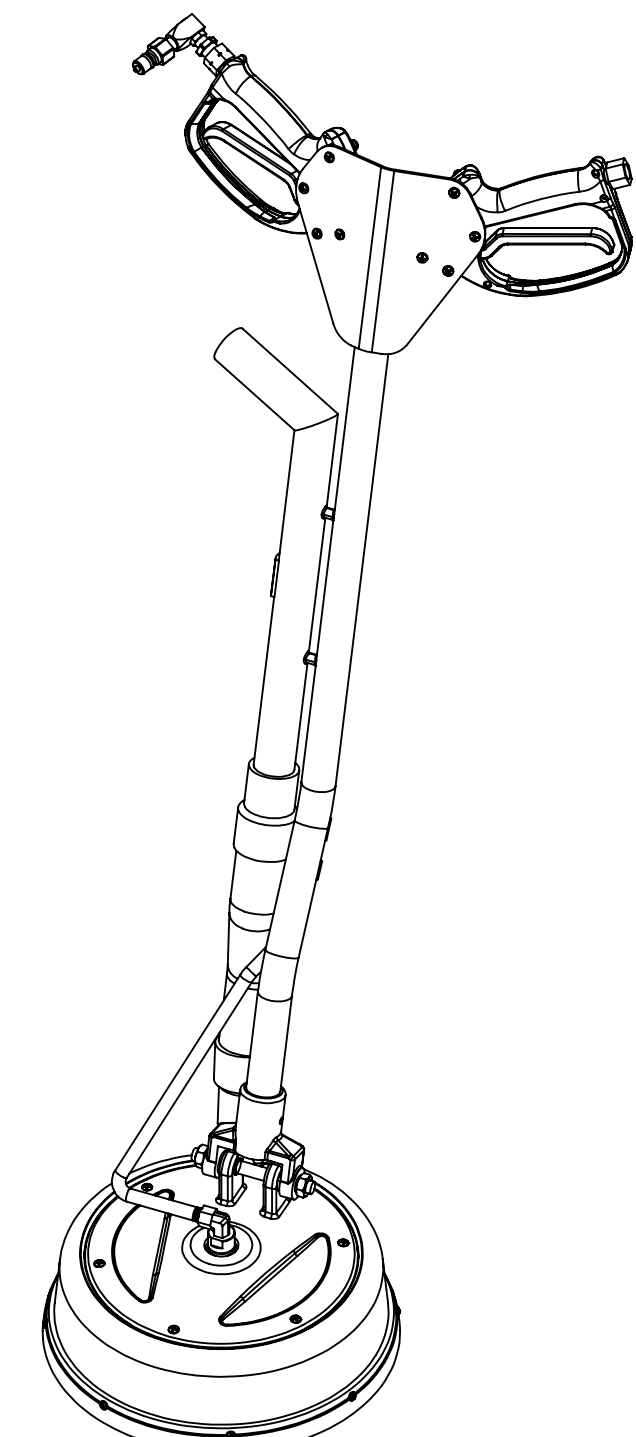
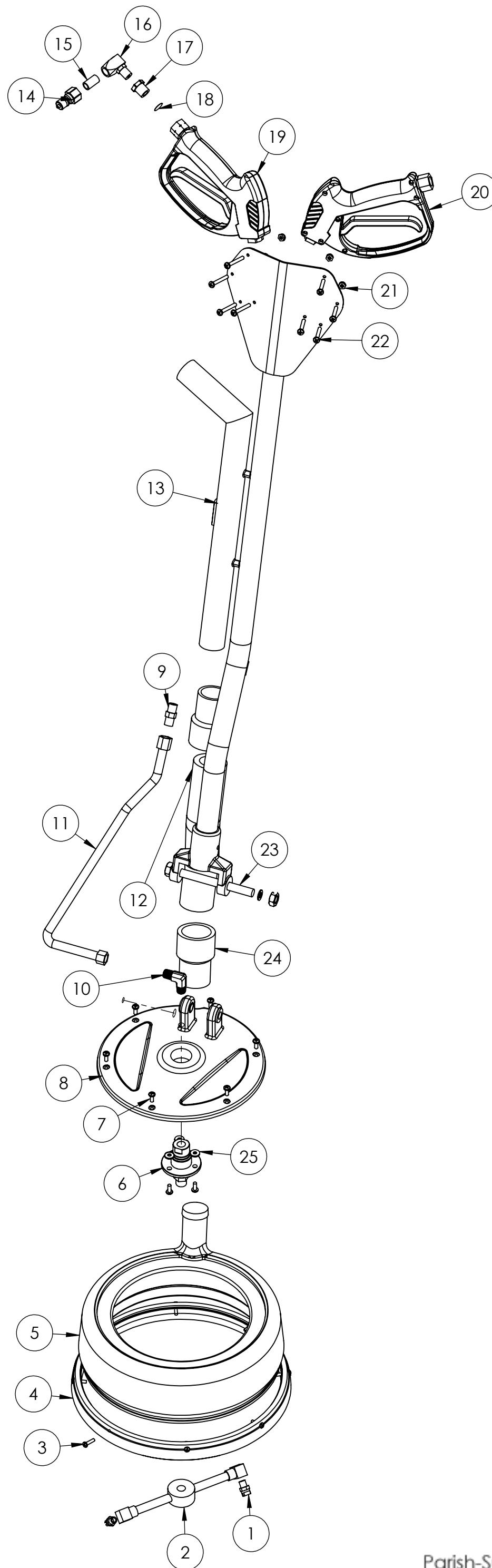


| ITEM NO. | PART NO. | DESCRIPTION | QTY. | MSRP |
|----------|----------|---|------|-------------|
| 1 | H505 | jet, s/s, 1/8", 1501 | 2 | \$9.99 ea |
| 2 | H502 | spray bar, 8" straight | 1 | \$131.99 ea |
| 3 | H882 | screw, 8 x 3/4" phil pan head | 8 | \$0.99 ea |
| 4 | G080 | brush, spinner, 12" | 1 | \$34.99 ea |
| 5 | P689 | manifold, 12" | 1 | \$51.99 ea |
| 6 | H926 | swivel, flange | 1 | \$198.99 ea |
| 7 | H230 | screw, 10-32 x 1/2 phil pan | 9 | \$0.99 ea |
| 8 | H465 | spinner cover, spinner machine | 1 | \$48.99 ea |
| 9 | B107 | nipple, brass, 1/4"m, hex | 1 | \$3.19 ea |
| 10 | B136 | elbow, brass, 90 deg, 1/4" mpt x 1/4" mpt | 1 | \$4.99 ea |
| 11 | AH108S | sol hose, 57 x 1/4", (OAL), m x msw, 3000psi | 1 | \$26.99 ea |
| 12 | PH627-15 | vac hose, 1 1/2" wire-reinforced | 1 | \$6.49 ea |
| 13 | H924 | two handed spinner handle | 1 | \$139.99 ea |
| 14 | B101 | qd, brass, 1/4" m | 1 | \$8.49 ea |
| 15 | B106 | nipple, brass, 1/4" x close | 1 | \$3.49 ea |
| 16 | B100 | swivel, 90 degrees x 1/4 fm x 1/4 ml, viton seals | 1 | \$26.99 ea |
| 17 | B105 | bushing, brass, 3/8"mpt x 1/4" | 1 | \$3.19 ea |
| 18 | H461 | filter, mesh screen 3/8" | 1 | \$0.99 ea |
| 19 | H540 | gun, high pressure, (batt spray/ counter) | 1 | \$41.99 ea |
| 20 | H540A | angled gun, no trigger | 1 | \$20.99 ea |
| 21 | H458 | nut, lock, 10-32, thin pattern | 8 | \$0.99 ea |
| 22 | H457 | screw, 10-32 x 1.5" p-pan | 8 | \$0.99 ea |
| 23 | H475 | rod, threaded, 4.65 x 1/2" | 1 | \$5.99 ea |
| 24 | H300 | cuff, black 1-1/2" | 2 | \$5.99 ea |
| 25 | H289 | washer, #10 flat, s/s | 6 | \$0.99 ea |



| | | | | |
|---|----------------------|--------------|-----------------------------|--|
| | NAME | DATE | MYTEE PRODUCTS, INC. | |
| DRAWN | J. Cash | 2/5/10 | 858-679-1191 | |
| CHECKED | | | TITLE: | |
| | | | spinner, 12", T handle | |
| <small>PROPRIETARY AND CONFIDENTIAL THE INFORMATION CONTAINED IN THIS DRAWING IS THE SOLE PROPERTY OF MYTEE PRODUCTS, INC. ANY REPRODUCTION IN PART OR AS A WHOLE WITHOUT THE WRITTEN PERMISSION OF MYTEE PRODUCTS, INC. IS PROHIBITED.</small> | | | | |
| SIZE | DWG. NO. | REV | | |
| C | 8904 | OD | | |
| SCALE: 1:6 | DO NOT SCALE DRAWING | SHEET 1 OF 1 | | |

Parish-Supply.com
Syracuse, NY 315-433-9031
parish-supply.com

