



HOW TO: PREPARE WET PADS FOR ROOM CLEANING

TOOLS



18" Quick Connect Frame



18" MF Wet Pad • Q410
One Per Assigned Room



Quick Connect
Handle of Choice



Disinfecting Bucket,
Plus Cleaning or Disinfecting
Solution of Choice

PROCEDURE

Each housekeeper is assigned disinfecting buckets according to the number of rooms to be cleaned. Each disinfecting bucket holds up to 20 pads, enough for 20 rooms at 1 pad per room. At the beginning of each shift, buckets are prepared as follows:

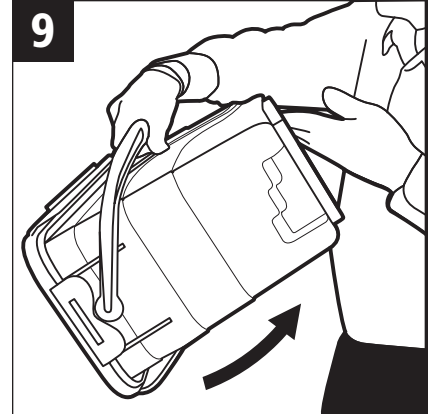
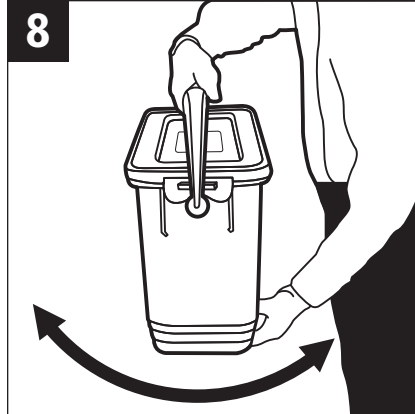
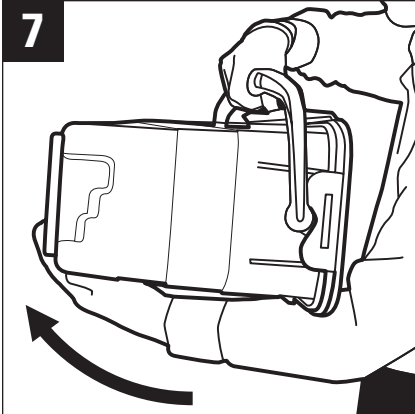
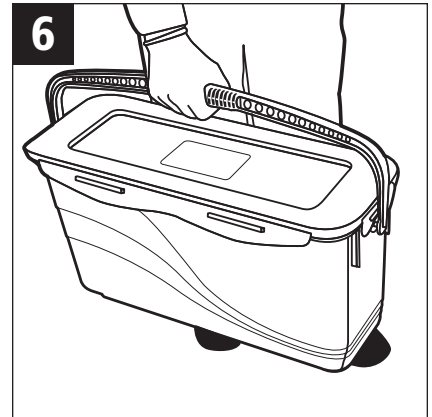
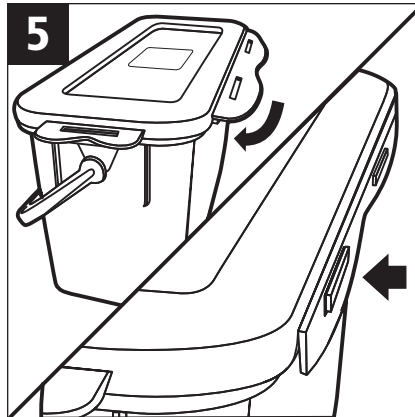
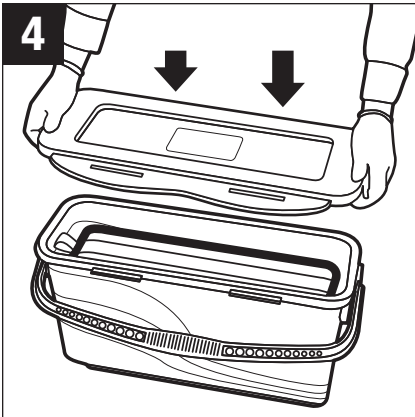
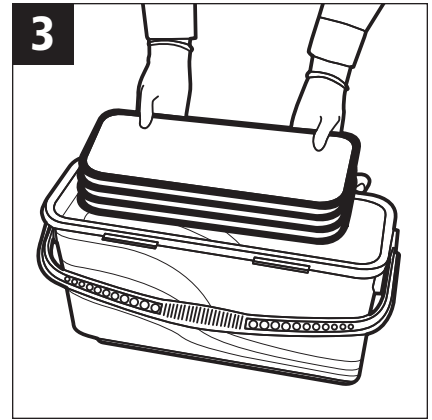
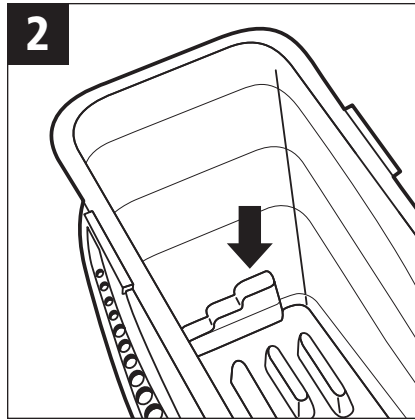
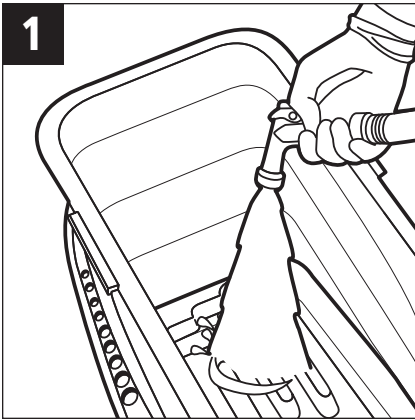
- 1** An appropriate amount of water and/or properly mixed disinfecting solution is added to the bucket by one of 2 methods.
 1. Using the "step guides" in the bottom of the bucket to determine the liquid level. (Each step represents five pads or 1 quart).
 2. Using a container or measuring device, pour an appropriate liquid measure into the container.
- 3** Place pads in bucket (at the rate of one per patient room) with white hook and loop backing side up.
- 4** Place lid on disinfecting bucket and lock all side flaps to insure a tight seal.
- 5**
- 6** Pick up bucket by handle.
- 7** Hold bucket by the handle in one hand and fully swing leak-resistant container to the maximum side-to-side position using the other hand. This will distribute disinfecting solution to all pads in the container. Because microfiber pads are highly absorbent, capillary action will even-out liquid distribution in a short period of time. (15 to 20 minutes)
- 8**
- 9** Place disinfecting bucket on cleaning cart and proceed to assigned room station.

TIPS

- Follow all established safety procedures.
- Wear all appropriate personal protective equipment (glasses, gloves, etc.).

OVER

HOW TO: Prepare Wet Pads for Room Cleaning



Customer Service: 1-800-347-9800
www.rubbermaidcommercial.com

03/06 MP 20M SM664-B
©2006 by Rubbermaid Commercial Products LLC
3124 Valley Avenue, Winchester, VA 22601

Work Smarter.

